



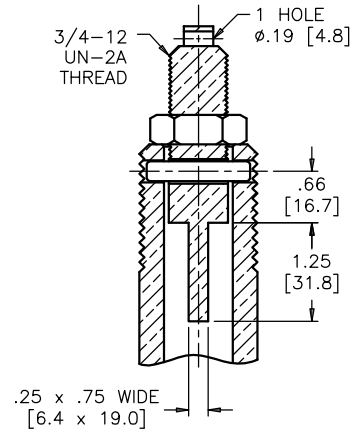
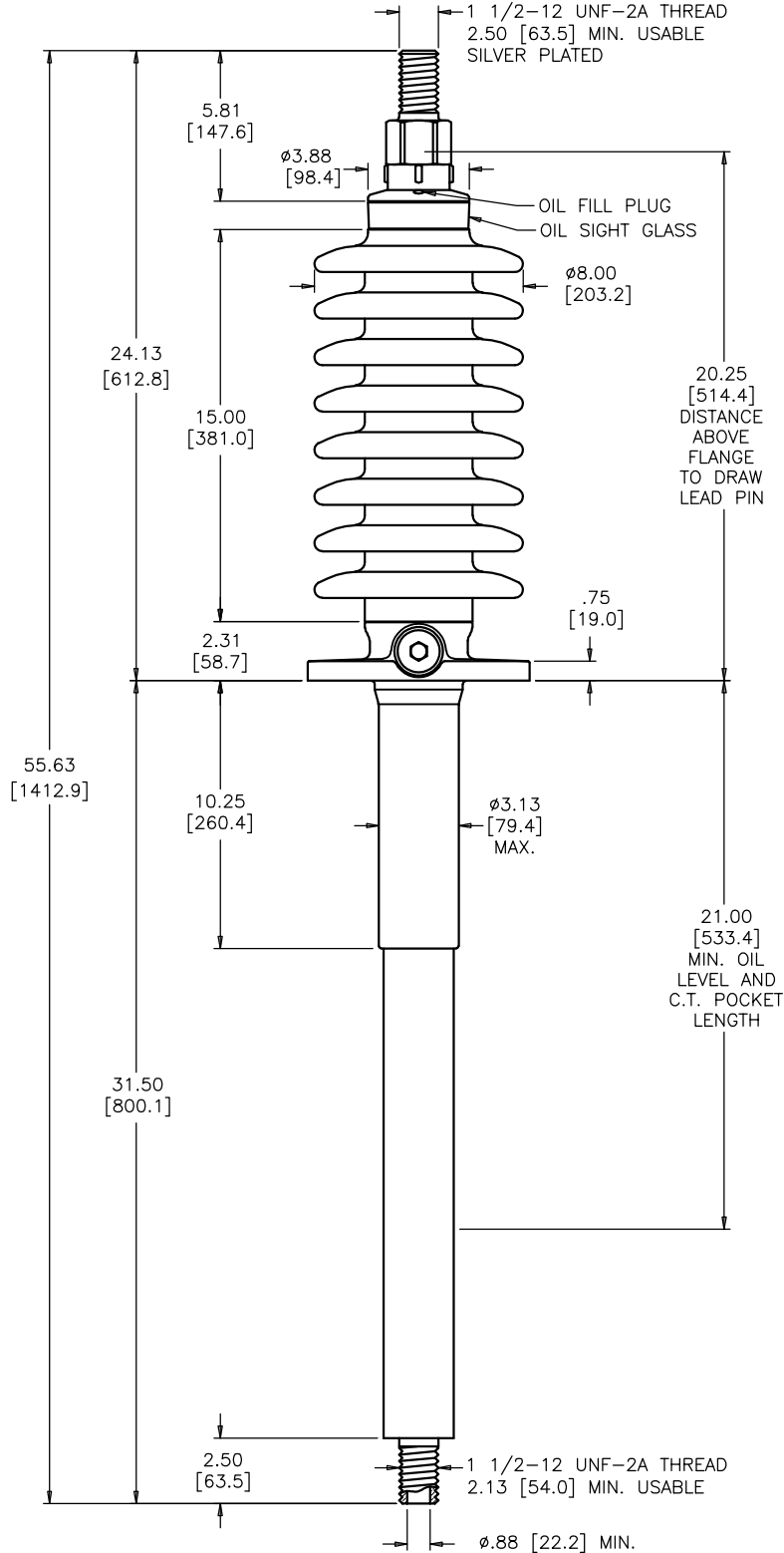
**PCORE**  
ELECTRIC

<b>KV CLASS</b>	34.5kV	<b>BIL</b>	200 kV	<b>Uy</b>	22 kV
<b>CURRENT RATING</b>					
400 AMP DRAW LEAD CONNECTION 1200 AMP BOTTOM CONNECTION					
<b>MIN. CREEP</b>	41.00 [1041.4]	<b>MIN. STRIKE</b>	17.00 [431.8]		
<b>CREEP/L-G</b>	2.06 [52.3]	<b>STD.</b>	IEEE C57.19.00/01		
PCB CONTENT OF OIL IS LESS THAN 1 ppm					

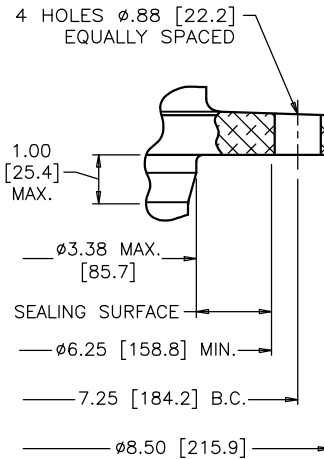
DWG.	CATALOG NUMBER	GLAZE COLOR
SD	B-89393-234	BROWN
SD	B-89393-234-70	LT. GRAY
<b>TITLE</b>		
PRC BUSHING		
C <sub>2</sub> NAME PLATE		

<b>DATE</b>	2-21-12	<b>REV. DATE</b>	1-10-20
<b>MAXIMUM ALTITUDE</b>	10000 ft [3000 m]		
<b>NET WEIGHT</b>	70 lb [32 kg]		
<b>ANGLE OF INCLINATION FROM THE VERTICAL</b>	0° TO 70°		

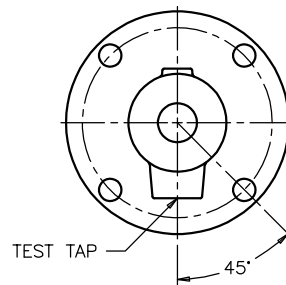
NOTE: ACTUAL DRAW-LEAD CURRENT RATING IS DETERMINED BY CABLE SIZE



**DRAW LEAD ASSEMBLY**



**MOUNTING FLANGE DETAIL**



**FLANGE ALIGNMENT DIAGRAM TOP VIEW**

DIMENSIONS IN INCHES [MILLIMETERS]

REVISION NET WEIGHT WAS 69 lb

SCALE 1/5

NOTE TO PURCHASER: ALL SALES OF PCORE PRODUCTS ARE SUBJECT TO OUR STANDARD TERMS AND CONDITIONS AND THE LIMITED WARRANTIES THEREUNDER